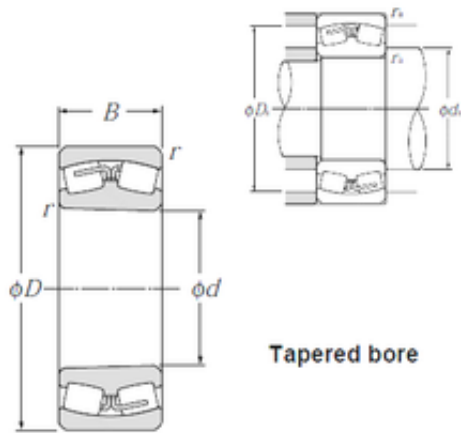




China 608rs Bearing Supplier

23036BK NTN Spherical Roller Bearings



Bearing No. 23036BK

Size	180x280x74 mm
Bore Diameter	180 mm
Outer Diameter	280 mm
Width	74 mm
d	180 mm
D	280 mm
B	74 mm
C	74 mm
r min.	2,1 mm
da min.	192 mm
Da max.	268 mm
ra max.	2 mm
Weight	16,1 Kg
Basic dynamic load rating (C)	740 kN
Basic static load rating (C0)	1 290 kN
(Grease) Lubrication Speed	1 300 r/min
(Oil) Lubrication Speed	1 700 r/min
Calculation factor (e)	0,26
Calculation factor (Y0)	2,53
Calculation factor (Y1)	2,59

23036BK Bearing 2D drawings and 3D CAD models